



CUI EUROPE

PART SPECIFICATION
for Approval

Customer: **Altech Electronics**

Part # **EMS090066-MLX-SZ**

Description: **switching power supply** 

Quantity: **6 pcs**

Date: **April 17, 2006**

Prepared by: **Mikael Nordstrom**

Number of pages: **7**
(including cover)

* Please sign below & initial each page of the attached specification.

APPROVED BY: _____
(please print)

SIGNATURE: _____

DATE: _____

SPEC SIGN-OFF VERIFIES THAT YOU HAVE TESTED THIS PRODUCT AND THAT IT MEETS YOUR REQUIREMENTS. THESE SPECS REFLECT THE PART AS IT IS TO BE ORDERED. ORDERS WILL NOT BE PROCESSED UNTIL THE SPEC APPROVAL PAGE AND EACH OF THE SPEC PAGES HAVE BEEN SIGNED AND RETURNED TO CUI. THIS SPECIFICATION IS CONFIDENTIAL AND IS NOT TO BE DISTRIBUTED WITHOUT PRIOR APPROVAL FROM CUI INC.

**Input**

Rated input voltage	100 V ~ 240 V ac
Input voltage range	90 V ~ 264 V ac
Rated frequency	50~60 Hz
Frequency range	47~63 Hz
Rated input current	300 mA r.m.s. max.
Inrush current	15 A max. at 115 / 30 A max. at 230 V ac (cool start)

Output

Output voltage	9 V dc at 0.66 A
Output min. current	0 A
Line regulation	± 1%
Load regulation	± 5%
Over voltage protection	16 V dc max. with zener clamp
Short circuit protection	output shut down and auto restart
Ripple voltage	100 mV (p-p) (100~240 V ac input)
Efficiency	50% min. (at nominal input voltage and full load)

Safety and EMI

HI-POT	input to output	3000 V ac or 4242 V dc at 10 mA for 1 minute
Insulation resistance	input to output	> 100 M Ohm at 500 V dc
Safety approvals	UL/cUL, GS, CE	
EMI standard	FCC class B, EN55022	
RoHS compliant	yes	
Leakage current	0.25 mA	

Environmental

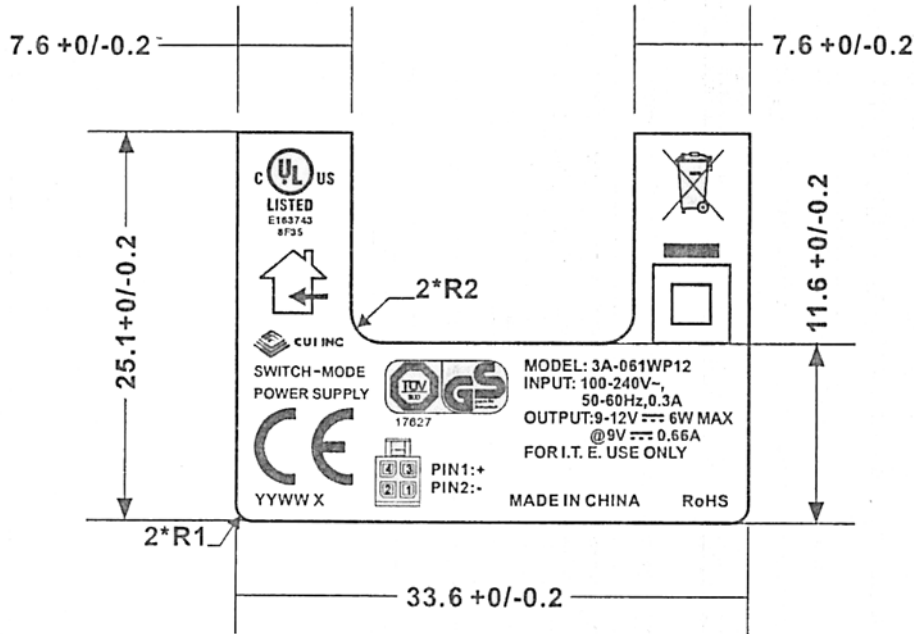
Storage temperature	-10°C ~ +70° C
Operating temperature	0°C ~ +40° C
Storage humidity	10~90%
Operating humidity	20~80%



Label

Material: metalized polyester
Color: black on silver base

Remarks: YYWW X
YY=production year
WW=production week
X=production location

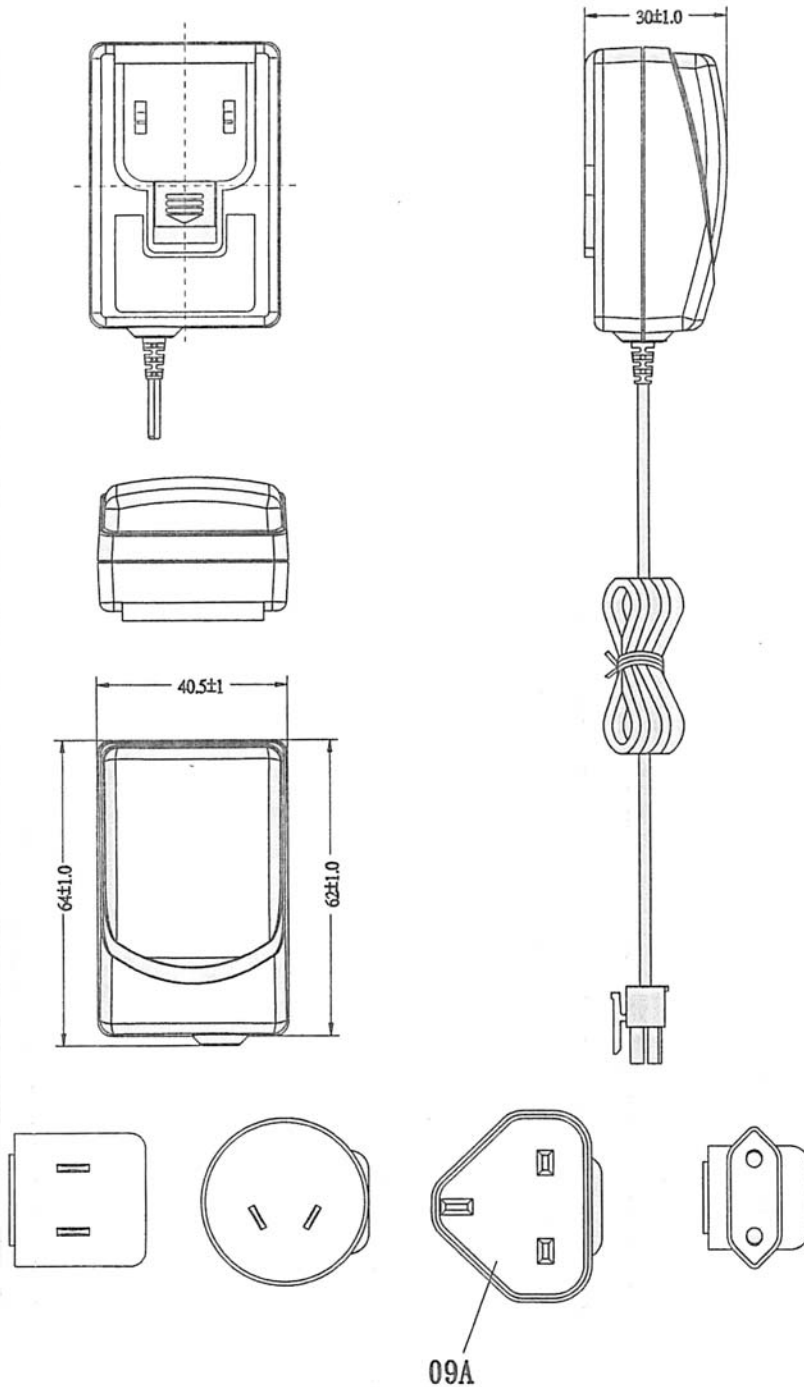




Mechanical Drawing

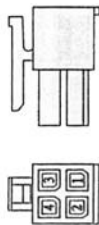
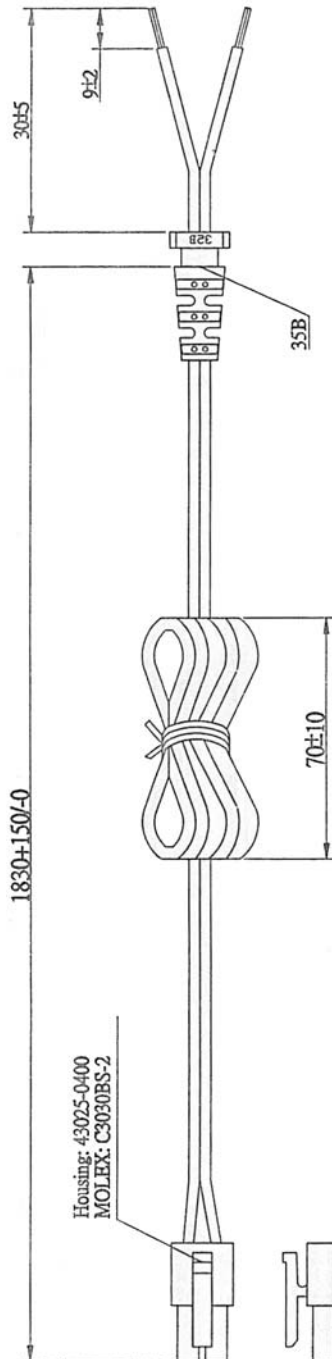
Tolerance: ±1

Input plug	Interchangeable PIN (UL, VDE, UK, SAA)
Weight	140 g
Case size	64 L x 40.5 W x 30 H mm





Cord



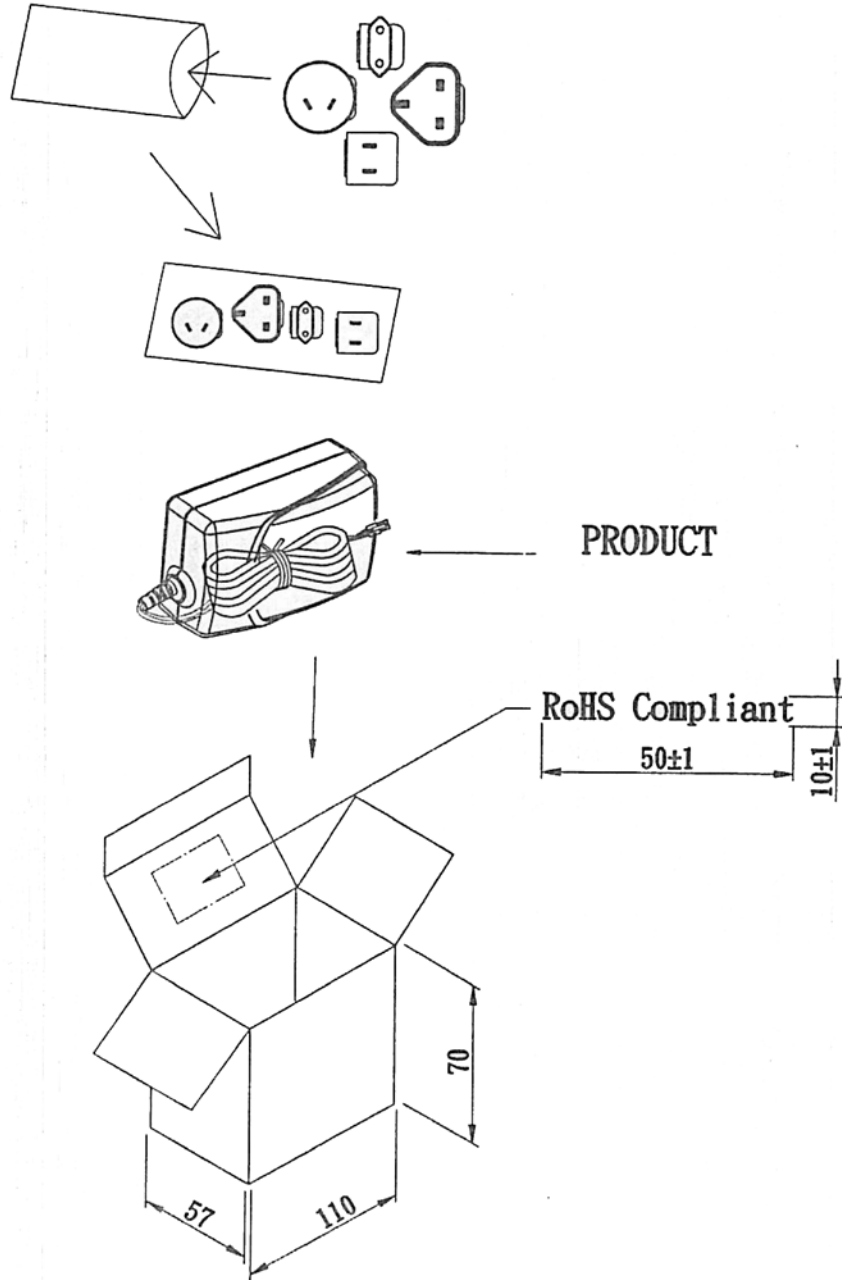
#22AWG X2C UL2468
OD: Ø1.7X3.4

PIN1: +
PIN2: -

VIBRATION TEST	a. ±60°
	b. WEIGHT 200g
	c. 40 ROUNDS/MINUTE
	d. OVER 1000 COUNT MIN



Individual Packaging





Packaging

Tolerance: +7/-0

CARTON INTERNAL SIZE:450*308*300mm

Q'TY: 80PCS(20*4)

N.W: 11.2 KGS

G.W: 12.0 KGS

G.W: 12.5 KGS

"RoHS Compliant"

