



XM1700E

Xmodus presents a new and compact 2G GSM/GPRS Ethernet Router based on Embedded Linux. This Ethernet Router covers a wide range of M2M applications, such as control systems, vending machines, remote diagnostics and much more.

Benefits:

- With an extended temperature range and robust design, the XM1700E Ethernet Router is designed to stand up to the harsh industrial environments found in telematics and AMR deployments.
- Based on Telit GE910 module, it features an industry leading RF performance, ensuring reliable network connectivity for real-time communication.
- The XM1700E Ethernet Router is the ideal choice for any M2M segment, demanding reliable host devices like AMR, telematics, security and ePOS.

GSM Engine:

- Telit GE910 Series 2.5G GSM/GPRS Engine.
- Quadband: 850/900/1800/1900 MHz.
- GPRS multi slot classes up to class 10
- Mobile station class B.
- 3GPP release 4 compliant.
- Class 4 (2W @ 850/900 MHz)
- Class 1 (1W @ 1800/1900MHz)
- RX sensitivity -107dBm
- Coding scheme 1 to 4, PBCCH support

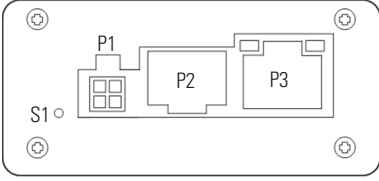
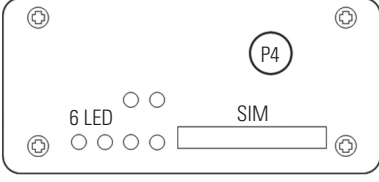
Order No: **XM1700E**

Router functions:

- OpenWrt based embedded router software.
- Web interface for router configuration (LuCI).
- Automatic GPRS coverage and router start.
- DHCP, NAT, DNS, FTP, HTTP, NTP, SSH Protocols.
- Firewall and static routes.
- OpenVPN supported.
- Real time clock with battery backup..
- Triggered up function with ping server.
- Firmware update through web page or ftp.
- Linux Kernel Version 3.8.13.
- GSM Signal monitoring.
- Easy setup of LAN and WAN interfaces.
- Serial port for console and applications.

Specifications:


- Compact Size: 110 x 65 x 30 mm.
- Supply: wide input range from 9 - 32 VDC.
- Typical Power use average: 400mA @ 9VDC
- Serial console interface with RJ45 connector.
- 10/100base-T interface with RJ45 connector.
- SIM card reader interface.
- SMA (female) Antenna Interface.
- Operating temperature: -20° to +75° C.

Interface Connections														
	<table border="1"> <tr> <td>P1</td> <td>Power Supply (9 - 32 VDC)</td> </tr> <tr> <td>P2</td> <td>Serial Interface (RJ45)</td> </tr> <tr> <td>P3</td> <td>10/100base-T Ethernet Interface</td> </tr> <tr> <td>S1</td> <td>Reset (1s ON)</td> </tr> <tr> <td>S1</td> <td>Reset to default state (5s ON)</td> </tr> </table>	P1	Power Supply (9 - 32 VDC)	P2	Serial Interface (RJ45)	P3	10/100base-T Ethernet Interface	S1	Reset (1s ON)	S1	Reset to default state (5s ON)			
	P1	Power Supply (9 - 32 VDC)												
P2	Serial Interface (RJ45)													
P3	10/100base-T Ethernet Interface													
S1	Reset (1s ON)													
S1	Reset to default state (5s ON)													
	<table border="1"> <tr> <td>P4</td> <td>RF Interface (SMA)</td> </tr> <tr> <td>SIM</td> <td>SIM card reader (1.8V / 3V SIM)</td> </tr> <tr> <td>LED</td> <td>Power</td> <td>GSM activity</td> </tr> <tr> <td>LED</td> <td>GPRS link active</td> <td>GPRS link error</td> </tr> <tr> <td>LED</td> <td>GSM signal monit.</td> <td>User selectable</td> </tr> </table>	P4	RF Interface (SMA)	SIM	SIM card reader (1.8V / 3V SIM)	LED	Power	GSM activity	LED	GPRS link active	GPRS link error	LED	GSM signal monit.	User selectable
P4	RF Interface (SMA)													
SIM	SIM card reader (1.8V / 3V SIM)													
LED	Power	GSM activity												
LED	GPRS link active	GPRS link error												
LED	GSM signal monit.	User selectable												

Operating Environment			
Supply Voltage	VDC	+ 9.0 to + 32.0	VDC
Power Requirements	@ 9.0V	0.8	A (peak)
Operating temperature	TA	-20° to + 75°	°C
Protection	IEC 529	IP50	
Vibration / Shock		EN60068-2-6 / 2-27	
Dimensions	mm	110 x 65 x 30	
ESD protection (RS232 & IO)	IEC 61000	+/-15kV HBM, +/-8kV IEC	kV

Accessories	
XM-TSH-35/4	Top-hat rail mounting kit (35mm)
XM-PSU-004	External Power Supply (wall adapter) 9VDC / 0.56A

Product Documentation	Doc Nr.
Hardware Manual	XM1700E-E00-102
Users Manual	XM1700E-A00-103
Additional Information	www.xmodus.ch

Contact Information	
 xmodus swiss GmbH Dachslernstrasse 63 CH-8048 Zürich, Switzerland Phone +41 (0) 44 438 88 82 Web: www.xmodus.ch	
© 2014 xmodus swiss. The information in this document is believed to be accurate in all respects at the time of publication but is subject to change without notice. Xmodus swiss assumes no responsibility for any errors and omissions.	