



## XM1810S-IOB1

Xmodus announced the launch of the new ultra compact 3.5G GSM Terminal with new functions covering a wide range of M2M applications. The new XM1810S-IOB1 terminal includes a 3.5G pentaband GSM engine together with I/O ports. Data interfaces are available as well.

### Benefits:

- With an extended temperature range and robust design, the XM1810S-IOB1 terminal is designed to stand up to the harsh industrial environments found in Telematics, M2M and AMR deployments.
- Based on Telit HE910 GSM module, it features an industry leading RF performance, ensuring reliable network connectivity for real-time communication.
- The XM1810S-IOB1 GSM Terminal is the ideal choice for any M2M segment, demanding reliable host devices like AMR, Telematics, Security and Remote Control.

### GSM Engine:

- Telit HE910 UMTS / HSPA+ Engine.
- Pentaband 850/900/1800/1900/2100Mhz
- HSPA+ data up to 21.0Mbps down and 5.76 Mbps up.
- Quad band GPRS and EDGE class 33.
- HSPA: uplink up to 5.76Mbps, downlink up to 21Mbps.
- UMTS: up/downlink up to 384 kbps.
- EDGE: uplink up to 236 kbps, downlink to 296 kbps.
- 3GPP release 7 compliant.
- RX sensitivity down to -108 dBm.
- Coding scheme 1 to 4, PBCC support.
- Optional antenna diversity
- Optional GPS receiver.

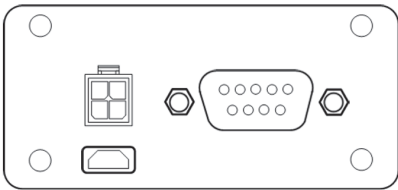
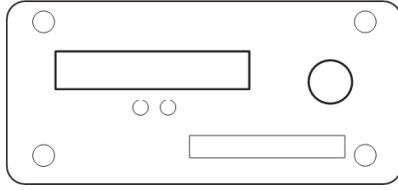
### Connectivity:

- Serial Interface, full RS232, up to 115200bps.
- USB 2.0 HS Interface (480 Mbit/s).
- IO Board with 2 isolated inputs, 2 isolated outputs and 1 ADC (4...20mA). Separate datasheet available.
- Optional RS485 interface board with Modbus/RTU and M-Bus support is available.
- Integrated TCP-IP / UDP / FTP / SMTP stack.
- SMS/MMS services features, TXT and PDU modes.
- Python interpreter allows implementation of customer applications. Module takes the application code directly in the Python language.

### Specifications:

- Compact Size: 75 X 55 X 25 mm.
- Supply: wide input range from 9 - 32 VDC.
- Typical Power use average: 200mA @ 9VDC
- Typical Power use @ PCL 5: 0.5A peak.
- Serial RS-232 interface with D-SUB9 connector.
- USB 2.0 HS Interface with USB Mini-B.
- SMA (female) Antenna Interface.
- Operating temperature: -25° to +80° C.
- 2 Year warranty.


Ordering:  
**XM1810S-IOB1**

Interface Connections	
	P1   Power Supply ( 9 - 36 VDC )
	P2   Serial Interface (D-SUB9 female)
	P3   USB 2.0 HS Interface Mini-B
	P4   GSM Antenna Interface (SMA female)
	P5   IO Connector (10 pole)
	P6   SIM Card Interface ( 1.8V / 3V SIM )
	LED   Green = Power On / Blue = GSM activity

Operating Environment			
Supply Voltage	VDD	7.5 to 32.0	VDC
Power Requirements	@ 9V	0.8	A (peak)
Operating temperature	TA	-25° to + 80°	°C
Casing	IEC 529	IP50	
Vibration / Shock		EN60068-2-6 / 2-27	
ESD protection	IEC 61000	+/-15kV HBM, +/-8kV IEC	kV

Accessories	
ZC-CAB-DC	DC Cable with open ends
XM-TSH-5	Mounting Kit
XM-PSU-002	DC Power Supply 9VDC 0.6A (wall adapter, EU version)

Product Documentation	Doc Nr.
Manual	XM1800S-E00-100
AT Command Manual	XM1800S-A00-100
Additional Information	<a href="http://www.xmodus.ch">www.xmodus.ch</a>

Contact Information	
 xmodus swiss GmbH Dachslernstrasse 63 CH-8048 Zürich, Switzerland Phone +41 (0) 44 438 88 82 Web: <a href="http://www.xmodus.ch">www.xmodus.ch</a>	
© 2015 xmodus swiss. The information in this document is believed to be accurate in all respects at the time of publication but is subject to change without notice. Xmodus swiss assumes no responsibility for any errors and omissions.	